



Series DTS - RMX

(Display Touch Systems)

8U Rack & Panel Mount Monitor

Features



Flat Panel Monitor

The DTS Series is a high performance 8U, 17 - 19" LCD display. It offers monitors with high contrast ratios and wide viewing angles. The display is high quality with a resolution of SXGA (1280 x 1024).

With only 3" of depth this display will fit the bill for your next rack, panel, in wall or Kiosk project. It can be used in Industrial, Commercial, Broadcast, Home Automation or Military applications. It has options for Capacitive and Resistive 3M Touch with serial / USB interface choices.

The DTS has been designed to allow for multiple back panel termination options from the standard aRGB to the optional DVI-D, NTSC/Pal S-Video and CVS connections. (See Option S4 on our HD/SD-SDI Options Data Sheet for more details)

The DTS is an all metal construction solution with a Standard Finish of Black Powder Coated Medium Texture, but it can be customized to any color or logo.

Enclosure:

- Mounts in standard 19-inch rack cabinets or as a Panel mount
- Utilizes only 8U (14.00")
- Rugged all metal construction designed to satisfy Broadcast, Industrial, Commercial, and Military requirements
- Compact enclosure for Rackmount and Panel applications

Display:

- 17 - 19" Diagonal Active Matrix TFT LCD
- Featuring Samsung technology
- Large viewing area
- SXGA (1280 x 1024) @ 60Hz Resolution

Video Controller:

- Standard Analog RGB, (Optional: DVI-D, S-Video, and Composite inputs)
- OSD (On Screen Display) Monitor Controls

Power:

- +12 VDC Operation
- Low Power Consumption

Other Features / Options:

- **HD/SD-SDI:** (See Option S4 on our HD/SD-SDI Options Data Sheet for more details)
- **Optional Resistive and Capacitive Touch**
- **Transflective Coating**

Please feel free to consult with a Sales Engineer for additional information or visit our web site.



Display Integration Technologies

1330 Specialty Dr, Suite A
Vista, CA, 92081
Phone 760.599.9225
Fax 760.454.0328

www.DITHD.COM
Sales@DITHD.com





Series DTS - RMXX

(Display Touch Systems) 8U Rack & Panel Mount Monitor

TECHNICAL SPECIFICATIONS

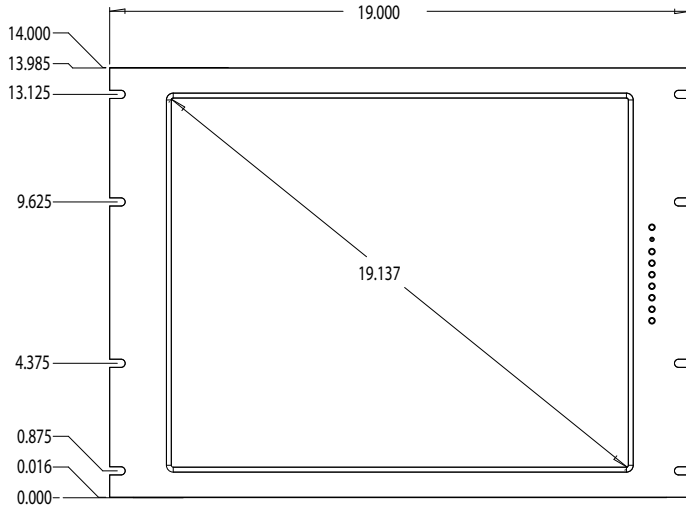
Monitor:			
Display Type	TFT active matrix SXGA LCD with antiglare hard coat		
Monitor Size		17"	19"
Max Resolution / Refresh		SXGA (1280 x 1024)	SXGA (1280 x 1024)
Display Colors	16.7 MILLION		
Brightness (Nits cd / m2)		250	250
Contrast Ratio		350:1	500:1
Response Time (Tr / Tf) (ms)		1.3	8/20
On Screen Adjustment	Contrast, Brightness, Autosetting, Clock / Phase, Horizontal & Vertical Position / Expansion / OSD, Text & Graph Mode Selection, Color Temp, Recall, Video Source		
Pixel Pitch (H x W) (mm)		0.264x0.264	0.294x0.294
Power Management	EPA Energy Star, VESA Compliance		
Video Inputs		Analog RGB (Optional DVI-D, Composite and S-Video)	Analog RGB, DVI-D, Composite and S-Video
Viewing Angle (Deg)		80/80/80/80	89/89/89/89
Display Modes		12	12
MTBF	30,000 - 50,000 hours		
Monitor Control Type	Digital microprocessor OSD control		

Chassis :	
Mounting	Standard 19-inch rack
Front Ears	8U 4 Hole, Standard Rack configuration
Dimensions (W x H x D)	19 x 14 x 3-inch
Color	Powder Coated black, medium texture paint. Custom colors and logos available as special order

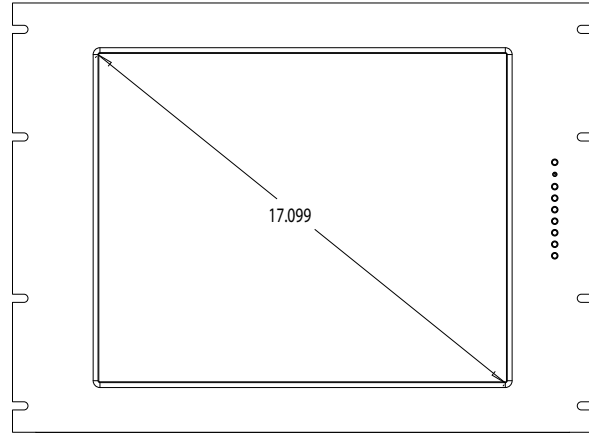
Misc		
Temperature	Operating: 0 to 50 Deg C	Storage -25 to 60 Deg C
Humidity	Operating: 5 - 90% RH Non Condensing.	Storage 5 - 90% RH Non Condensing
Altitude	Operating: 10,000 feet	Storage: 30,000 feet
Weight	Actual Wt. 19 lbs	Shipping Wt. 24 lbs
Shipping Box 24" x 7" x 21"	DWD 18	DWI 21



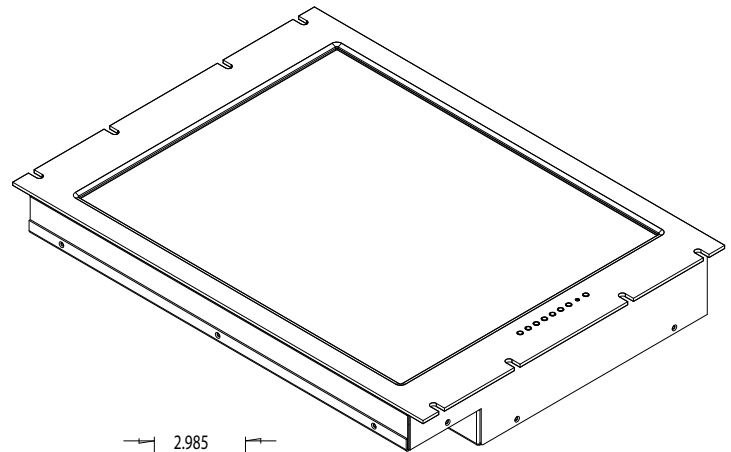
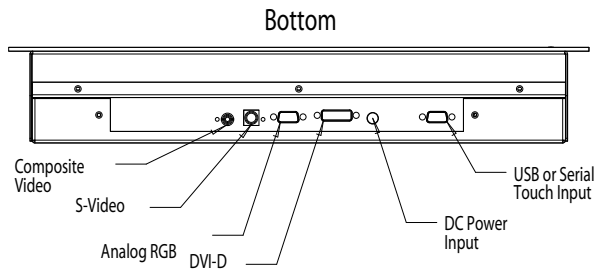
DIMENSIONAL DRAWINGS



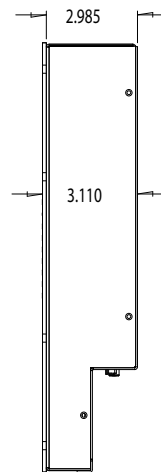
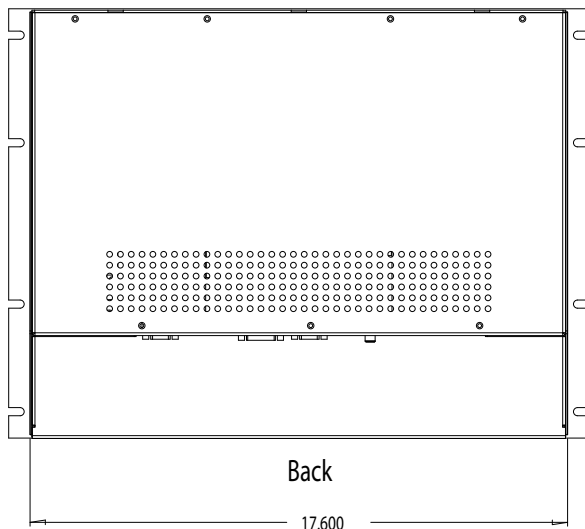
19" Monitor Front Face



17" Monitor Front Face



Isometric 19" Monitor



Side